



FIFTH WHEELS

SERVICE INFORMATION



FW3300 and FW3410 Series

Replacement of lube plates and pocket inserts

This service information contains the installation procedures for the replacement of the lube plates on the FW3300 and FW3410 series fifth wheels and also for replacement of pocket inserts on the FW3410 series

Before replacing the lube plates, verify that you have the correct lube plate kit for the fifth wheel that you are working on. Pocket inserts are not fitted to the FW3300 series and therefore are only available for the FW3410 series.



Before attempting any repair procedures you must read and understand the following information

All fifth wheel maintenance must be performed by a qualified service technician using proper tools and safe procedures. Follow the instructions in this manual

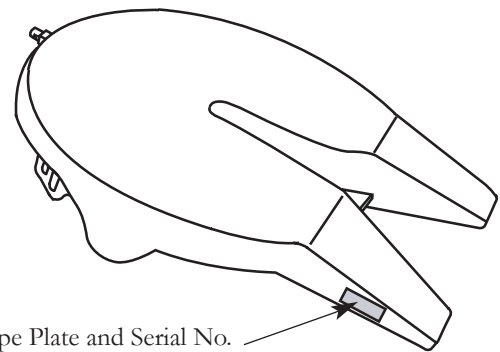
Make sure that you are using the correct repair kit for your fifth wheel (see figure 1 on the right)

Use only genuine Holland parts

Always wear safety goggles during service procedures

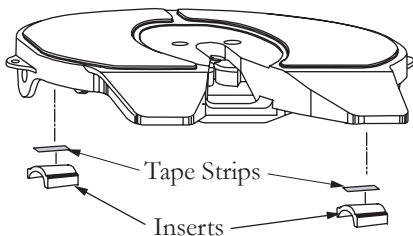
Observe standard precautions when lifting

FIGURE 1



POCKET INSERTS

Pocket inserts are fitted to the FW3410 series only



Replacement pocket insert kit part number RS-91094 contains 2 inserts and 4 double sided tape strips (2 strips required, 2 provided as spares)



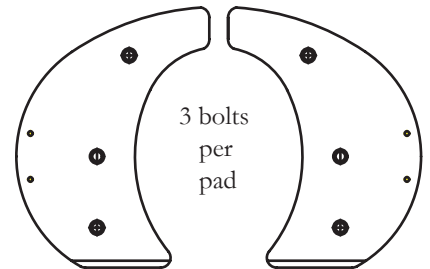
Pocket inserts may fall out while lifting and moving the fifth wheel. Do not ship top plate with pocket inserts installed

LUBE PLATES

Replacement lube plate set for FW3300

Part No. 45041-1

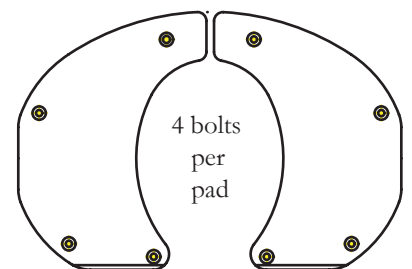
2 Lube Plates
6 Bolts
6 lock Nuts



Replacement lube plate set for FW3410 series

Part No. RS-91091

2 Lube Plates
8 Bolts
8 lock Nuts



BEFORE REPLACING THE LUBE PLATES OR POCKET INSERTS

Review the guidelines below. you may find that component replacement is unnecessary. If replacement is required, check the front page of these instructions to ensure that you have the correct components for your fifth wheel

LUBE PLATES

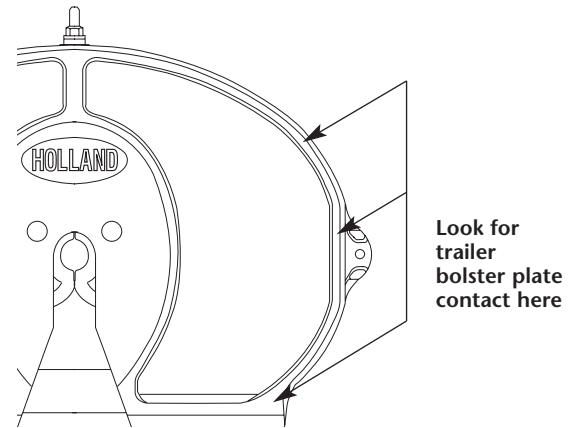
Thoroughly steam clean the top surface of the fifth wheel and replace the lube plates if :

One or both lube plates is missing ; or

The trailer bolster plate is contacting any portion of the fifth wheel other than the bolster plates ; or

The lube plates are severely chipped, worn, cracked, gouged or bent ; or

25% or more of the lube plate is worn in such a way that it does not contact the trailer plate when coupled



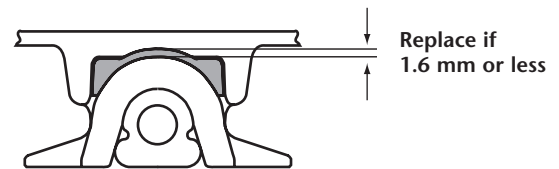
POCKET INSERTS

Replace the pocket inserts if :

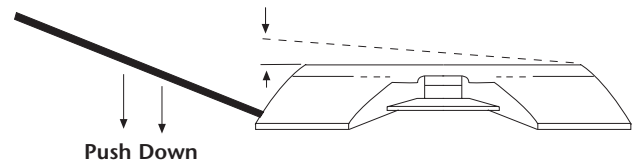
The pocket insert thickness is 1.6 mm or less ; or

The free vertical movement of the top plate on the bracket is 12mm or greater, without compressing the rubber bushes ; or

The pocket inserts are severely chipped, cracked or gouged



12mm Max. (Measured at ear)



LUBE PLATE REPLACEMENT

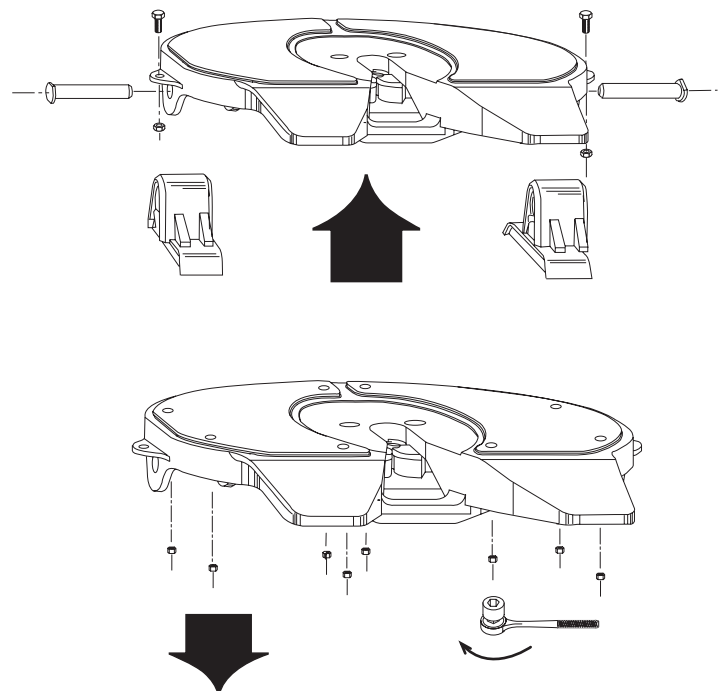
1. Remove the fifth wheel from the tractor.

Note : It may not be necessary to remove the fifth wheel from the tractor depending on mounting style, cross members, etc. for most installations , removal of the fifth wheel will be required.

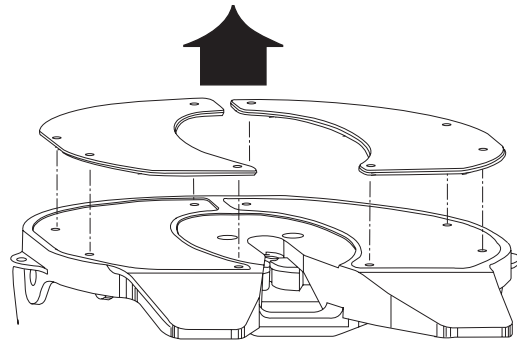
Note : Illustration shows FW3410 series top plate, on the FW3300 series retention of the bracket pin is by roll pin and spring clip on the inner end of the bracket pin.

2. Remove and discard lube plate, lock nuts and bolts

Note : FW3300 has 3 bolts per pad
FW3410 has 4 bolts per pad
(FW3410 shown)

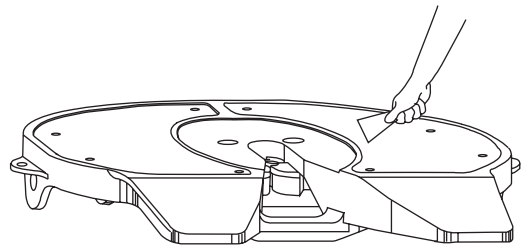


- Remove lube plates from the fifth wheel and discard

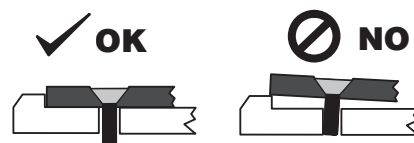
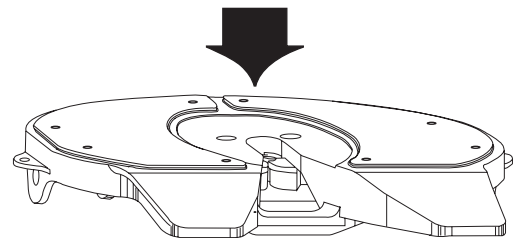


- Steam clean or use a suitable knife or scraper to remove all dirt, grease, debris, etc. from the top plate recess

Note : If steam cleaning, allow to dry or remove excess moisture before proceeding to the next stage



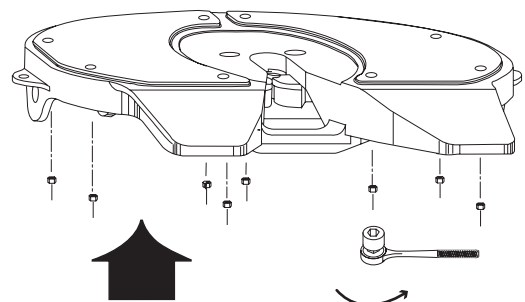
- Install new lube plates. Make sure that the lube plates are seated flat against the recess in the fifth wheel top plate



- Install new countersunk bolts and lock nuts and tighten nuts to 20 Nm.

DO NOT LUBRICATE OR OVERTIGHTEN!

Check to see that the lube plates are pulled tight against the recess in the fifth wheel top plate. reinstall the fifth wheel back onto the tractor



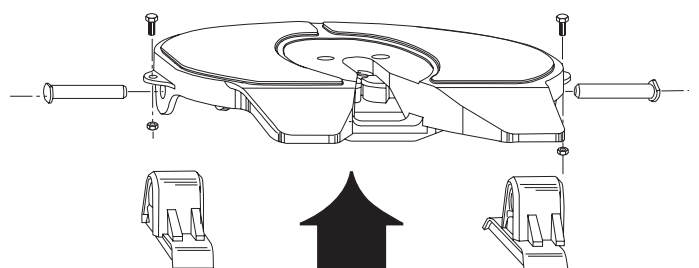
POCKET INSERT REPLACEMENT

- Remove the fifth wheel from the tractor

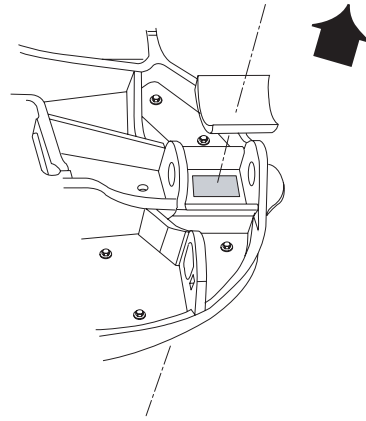


The pocket insert may fall out while lifting and moving the fifth wheel

Note : Illustration shows FW3410 series top plate, on the FW3300 series retention of the bracket pin is by roll pin or spring clip on the inner end of the bracket pin.

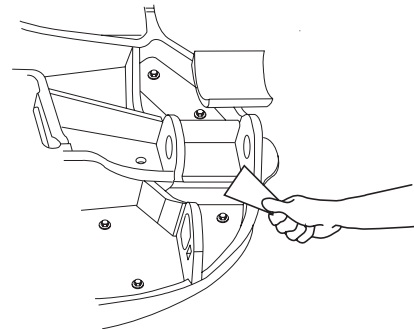


2. Pry out both pocket inserts and discard

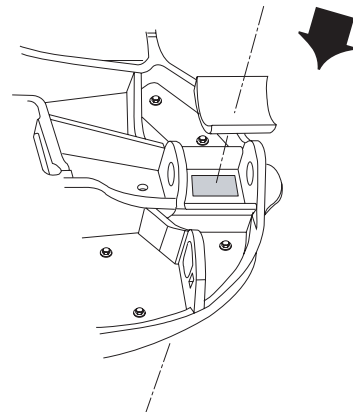


3. Using a suitable knife or scraper remove dirt and debris from pockets

Use a suitable grease free, solvent type cleaner to thoroughly clean pocket area and ensure good adhesion of double sided tape



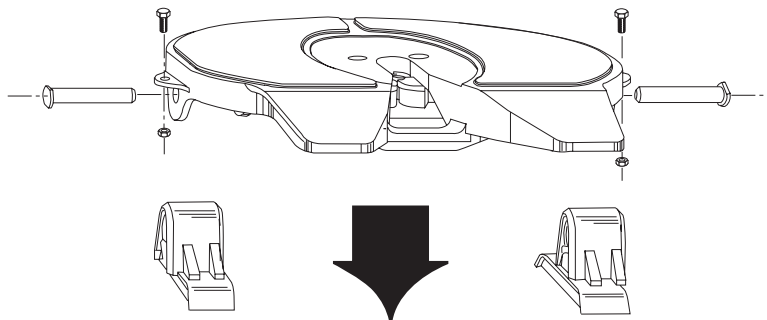
4. Attach strips of double sided tape in bottom of pockets and install pocket inserts by pressing down into pockets



Do not ship top plates with pocket inserts installed

5. Reinstall the fifth wheel onto the tractor. Check for free and proper articulation. Make sure that the fifth wheel does not bind

Note : Illustration shows FW3410 series top plate, on the FW3300 series retention of the bracket pin is by roll pin or spring clip on the inner end of the bracket pin.



Copyright © June 2004 • The Holland Group Inc.



The Holland Group, Inc.
Holland, MI 49423
United States
Phone: (616) 396-6501
Fax: (616) 396-1511

EN ISO
9001:2000



DNV
Certified
Company

Holland Europe GmbH

Altenkamp 9
D-33758
Schloss Holte-Stukenbrock
Germany
Phone: +49 (0) 5207-89560
Fax: +49 (0) 5207-895656

Holland Eurohitch Ltd.

Hoo Farm Industrial Estate
Worcester Road
Kidderminster
Worcestershire
DY11 7RA
Phone: +44 (0) 1562-732010
Fax: +44 (0) 1562-732020

Holland Hitch (Aust.) Pty. Ltd.

Melton, Victoria, Australia
Phone: 61-(0)3-9743-6799
Fax: 61-(0)3-9747-9617

Holland Transtrade

(Thailand) Company, Ltd.
Bangkok, Thailand
Phone: 66 (0)2-513-8758
Fax: 66 (0)2-513-8757

Nippon Holland, Ltd.

Tokyo, Japan
Phone: 81-(0)3-3461-9130
Fax: 81-(0)3-3463-1407

Holland Transtrade

Far East SDN BHD
Shah Alam, Malaysia
Phone: 60 (0)3 734-2888
Fax: 60 (0)3 736-5588