



FW3010

FW3010 SERIES SPECIFICATIONS




Fifth Wheel

65000 kg Gross Combination Weight
20000 kg Vertical Load


Type Approval RDW - 16010286
D-Value 152.3 kN

FEATURES

- Fabricated, pressed steel construction optimized for the best combination of durability and strength.
- Forged alloy steel locks with patented adjustment system for easily adjusted from the top of the fifth wheel
- Hardened steel replaceable wear ring gives extended life and easy rebuilding of the fifth wheel
- Drilled and prepared for central lubrication system
- Suitable for all types of rear axle steering

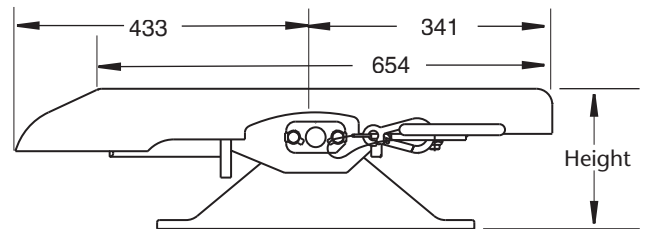


WARNING The load limits given are valid for operation on paved roads and under conditions prevailing in Europe. For alternative conditions please consult Holland



WARNING Mounting must be carried out in accordance with Holland instructions

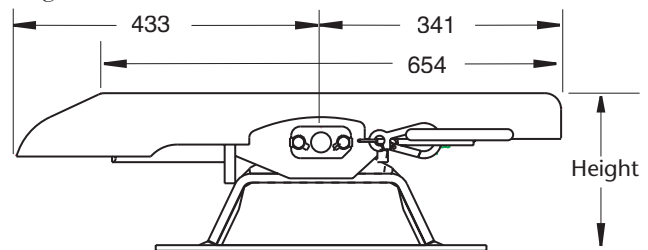
ISO BRACKET MOUNTING



Part Number	Height	Weight
FW3010-150	150mm	124 kg
FW3010-180	180mm	128 kg
FW3010-200	200mm	131 kg

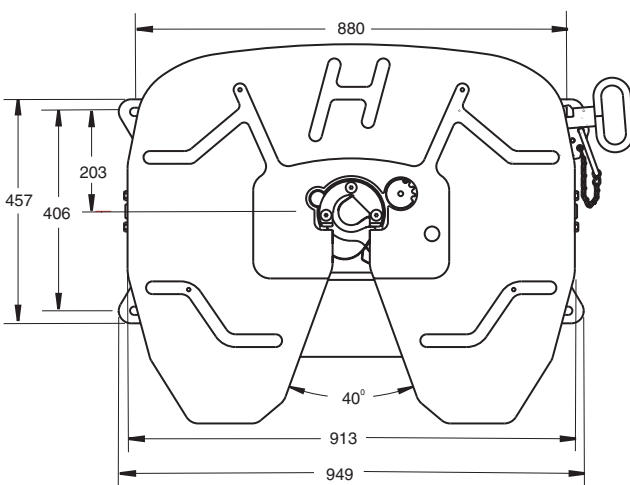
WEIGHTSAVER MOUNTING

Combined mounting brackets and mounting plate resulting in weight reduction and easier installation



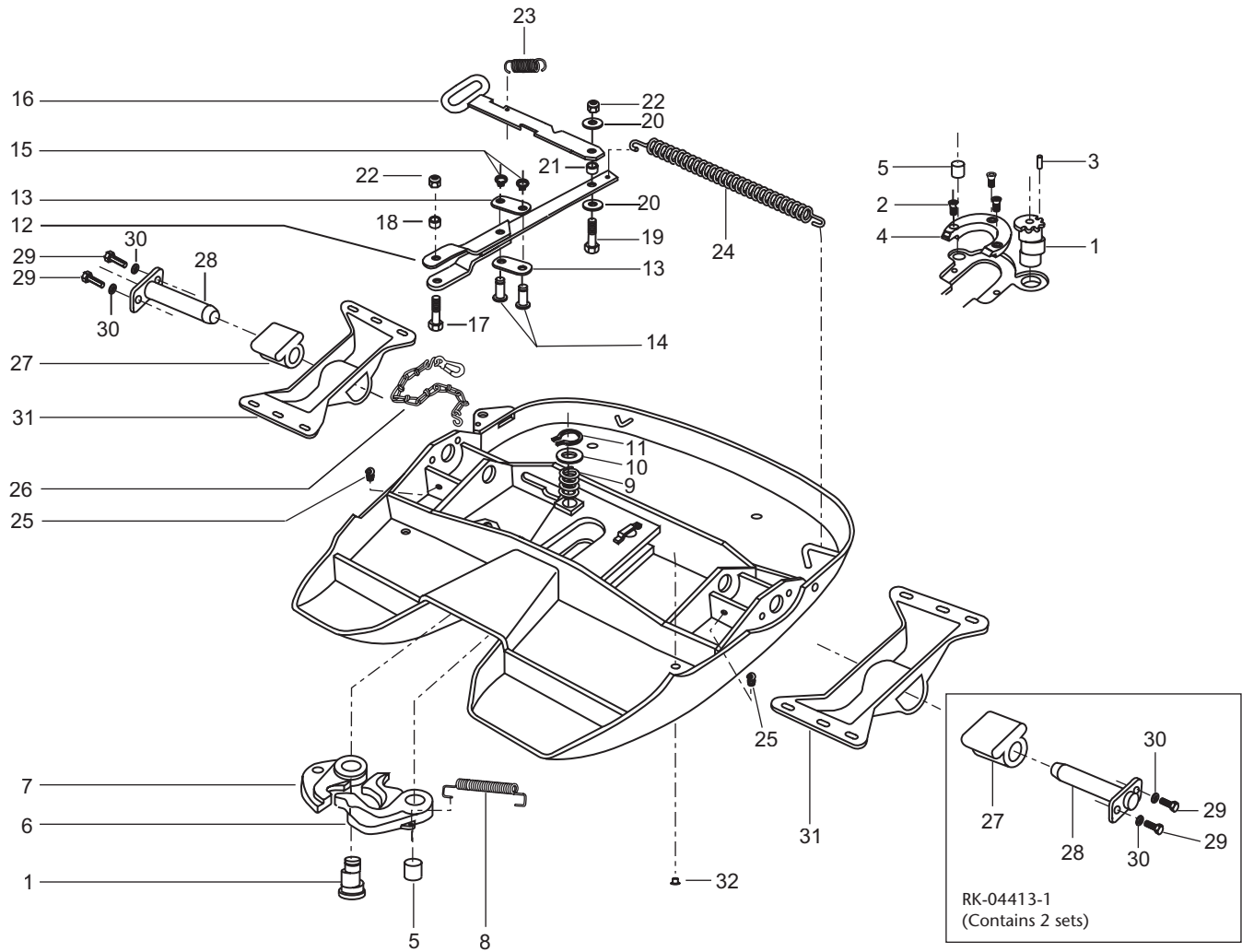
Part Number	Height	Weight
FW3010-140	140mm	147 kg
FW3010-160	160mm	149 kg
FW3010-190	190mm	152 kg
FW3010-230	230mm	155 kg

ISO mounting version shown



Holland reserves the right, without prior notice, to change specifications and dimensions

FW3010 FIFTH WHEEL - SPARE PARTS



Item	Part No.	Qty	Description	Item	Part No.	Qty	Description
1	* ^ XA-D-05365-4	1	Adjustment Pin	18	* XA-D-08940	1	Bushing
2	* ^ XB-05870	3	Countersunk Bolt	19	* XB-HCS-M14-45-Z	1	Bolt
3	* XB-21-S-8M-25M	1	Spring Pin	20	* XB-PW-M14-Z	2	Washer
4	* ^ XA-D-05848	1	Wear Ring	21	* 15003	1	Bushing
5	* ^ XA-D-05853	1	Lock Pin	22	* 32022	2	locknut
6	* ^ XA-D-05348-KTL	1	Lock	23	* XB-D-05843-1	1	Extension Spring
7	* ^ XA-D-05349-KTL	1	Hook	24	* XB-D-05844-KTL	1	Extension Spring
8	* ^ XB-D-05843	1	Extension Spring	25	* XB-05849	2	Grease Fitting
9	* ^ XB-D-05858	1	Compression Spring	26	* XB-04797	1	Clip & Chain Assembly
10	* ^ XB-05859	1	Washer	27	* XB-0011-3	2	Rubber Cushion
11	* ^ XB-05855	1	Retaining Ring	28	* XA-D-05219	2	Bracket Pin
12	* XA-D-08882	1	Release Arm	29	* XB-05869	4	Bolt
13	* XA-D-08885	2	Link	30	* 33009	4	Lock Washer
14	* XA-D-08886	2	Clevis pin	31	* XD-04942-KTL	2	ISO Bracket - 150mm
15	* XB-05855-1	2	Retaining Ring		* XD-04943-KTL	2	ISO Bracket - 180mm
16	* XA-D-05866-2	1	Release Handle		* XD-04944-KTL	2	ISO Bracket - 200mm
17	* XB-HCS-M14-50-Z	1	Bolt	32	* 15005	4	Plastic Plug (one shown)
*	RS-91033-2		Full Overhaul Kit		RS-91061		Replacement Handle Kit
^	RS-91034		Lock Repair Kit				
	RK-04413-1		Cushion kit				



SAF-HOLLAND GmbH
Hauptstraße 26
D-63856 Bessenbach, Germany
Phone: +49 (0) 6095-301302
Fax: +49 (0) 6095-301200

HOLLAND EUROHITCH Ltd.
Hoo Farm Ind. Est. Worcester Rd.
Kidderminster, Worcs. DY11 7RA, UK
Phone: +44 (0) 1562-732010
Fax: +44 (0) 1562-732020

HOLLAND EUROPE GmbH
Altenkamp 9, D-33758
Schloss Holte-Stukenbrock, Germany
Phone: +49 (0) 5207-89560
Fax: +49 (0) 5207-895656