

Datasheet SAF-O-METER



When a trailer disconnects from the truck and has no independent record of its use or distance travelled, the SAF-O-METER provides a valuable source of accurate and reliable data.

Benefits:

- Accurate and reliable distance recording of trailer or bus
- Compact tamper proof design, environmentally sealed to prevent accumulation of condensation
- Unique counterbalance design prevents orbiting - even on rough roads
- Integrated axle cap assembly options
- Recognised as accurate for fuel rebate applications

Key features:

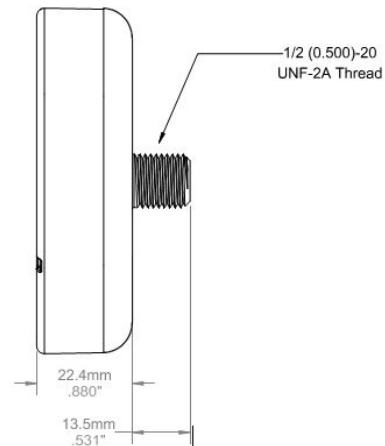
- Weighs about 100 grams
- Mounts directly onto the axle cap
- Available for all tyre sizes specified in our product catalogue revolutions per kilometre
- Hermetically sealed meter
- Maintenance-free
- No build-up of condensation: nitrogen-filled
- Tamper-proof
- Records distances even in reverse gear
- Six-digit display

Product standards:

Heat:	BS EN 60068-2-2 Test Bb
Cold:	BS EN 60068-2-1 Test Ab
Condensation:	BS EN 60068-2-30 Test Db
Vibration:	BS EN 60068-2-6 Test Fc
Shock:	BS EN 60068-2-27 Test Ea
Casing Protection:	BS EN 60529:1992

safholland.com

Datenblatt SAF-O-METER



Technical specifications:

Speed:	1000 RPM maximum
Warranty:	500.000 kilometres
Size of figures:	0.15" high x 0.09" wide (3,81mm x 2,3mm)
Colour of figures:	Wheels are white on black
Mounting:	0.500-20 UNF 2A threaded integral mounting stud
Construction:	Case: rugged Valox engineered polymer Figure wheels, pinions, gears: high performance acetal resin Bearings: bronze Main shaft: hardened steel Crystal: scratch-resistant Lexan Insert-moulded threaded shaft

safholland.com