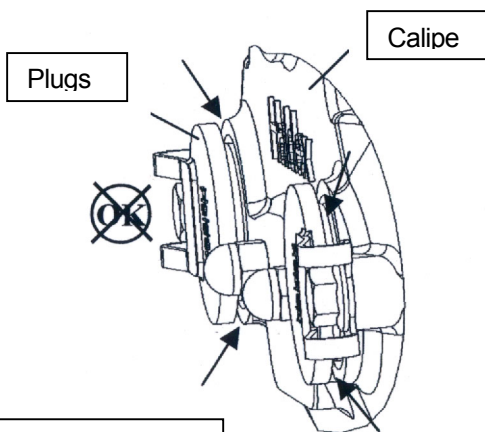
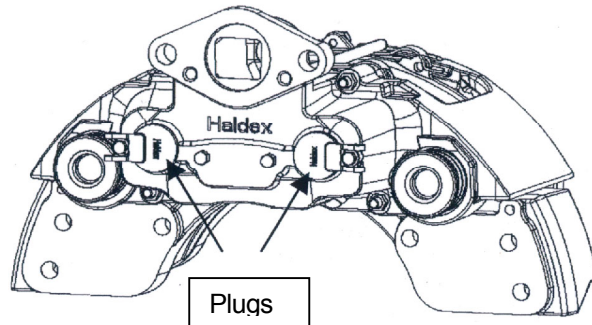


HALDEX Disc Brake DB 20 Mark II

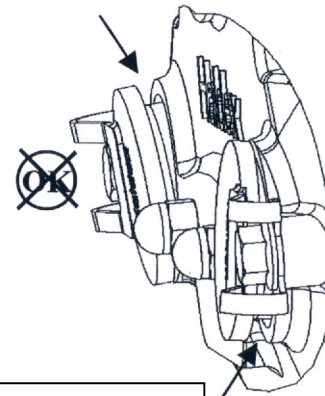
Water ingress via adjustment shaft/plugs

To ensure correct function and to avoid internal corrosion, it is of the utmost importance to protect the caliper from water ingress. For correct sealing it is very important that the adjustment shaft plugs always are properly fitted.

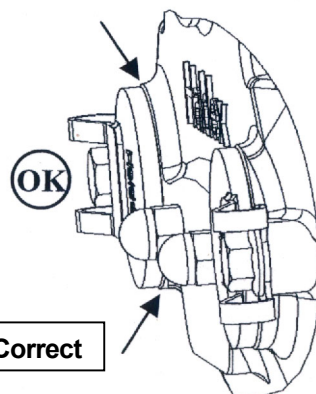
The plugs must be checked for proper fitting at inspection/maintenance and repair.



>0,5 mm = Incorrect



>0,5 mm = Incorrect



<0,5 mm = Correct

See "Service Bulletin" HALDEX dated 15.08.2000