

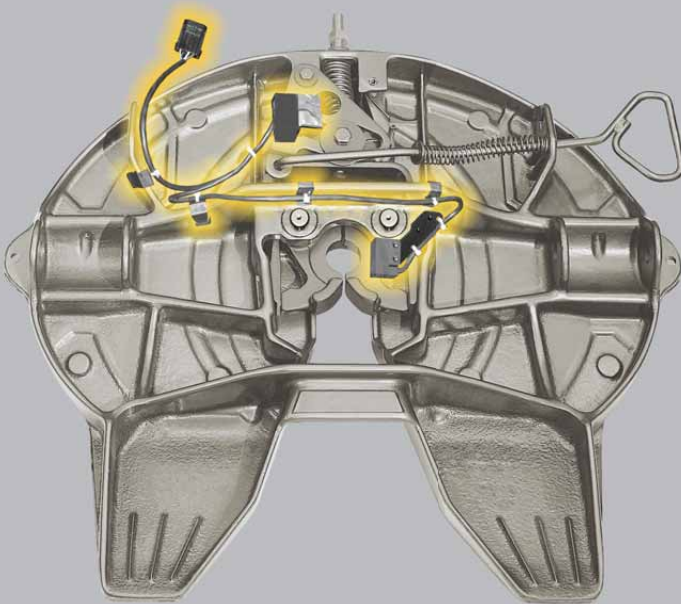
## Owner's Manual Manual del propietario

### Electronic Lock Indicator System (ELI<sup>®</sup>) for Kenworth Installed FW35 Series Fifth Wheels

Operation, Maintenance Procedures;  
Warranty Information

### Sistema indicador electrónico de cierre (ELI<sup>®</sup>) para quinta rueda serie FW35 instalado por Kenworth

Operación, procedimientos de mantenimiento;  
información de garantía



English

Español

Contents	Page
Introduction.....	2
Notes, Cautions, and Warnings.....	2
Section 1 – Model Identification.....	3
Section 2 – General Safety Instructions.....	4
Section 3 – Fifth Wheel Intended Use.....	5
Section 4 – Fifth Wheel NON-Intended Use.....	5

Contents	Page
Section 5 – Coupling Preparation.....	5
Section 6 – Operating Procedures.....	5
Section 7 – Response to Improper Couple Signal.....	7
Section 8 – Maintenance.....	8
Exploded View and Parts Lists.....	9
Warranty.....	10

## Introduction

This manual provides you the information necessary for the proper operation and maintenance of the Kenworth Installed Electronic Lock Indicator System (ELI) for the Holland FW35 series fifth wheels.

**NOTE:** For Holland replacement components contact SAF-HOLLAND Customer Service: 1-888-396-6501.

## Notes, Cautions, and Warnings

You must read and understand all of the procedures presented in this manual before operating or starting work on any Electronic Lock Indicator System (ELI) for the Holland FW35 series fifth wheels.

**IMPORTANT:** Keep this manual in a safe location for future reference.

Proper tools must be used to perform the maintenance and repair procedures described in this manual.

**NOTE:** In the United States, work shop safety requirements are defined by federal and/or state Occupational Safety and Health Acts. Equivalent laws may exist in other countries. This manual is written based on the assumption that OSHA or other applicable employee safety regulations are followed by the location where work is performed.

Throughout this manual, you will notice the terms "NOTE," "IMPORTANT," "CAUTION," and "WARNING" followed by useful product information. So that you may better understand the manual, those terms are defined as follows:

**NOTE:** Includes additional information to enable accurate and easy performance of procedures.

**IMPORTANT:** Includes additional information that if not followed could lead to hindered product performance.

**CAUTION** Used without the safety alert symbol, indicates a potentially hazardous situation which, if not avoided, may result in property damage.

**CAUTION** Indicates a potentially hazardous situation which, if not avoided, may result in minor or moderate injury.

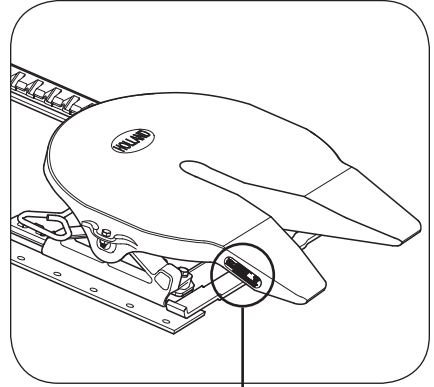
**WARNING** Indicates a potentially hazardous situation which, if not avoided, could result in death or serious injury.

## 1. Model Identification

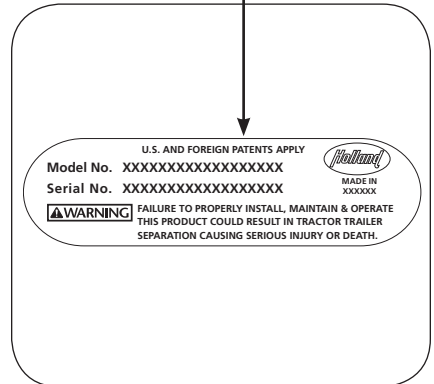
Fifth wheel serial tags are located on the left side of the fifth wheel top plate above the fifth wheel bracket pin, or on the pickup ramps as shown (**Figure 1**).

The part number and serial number are listed on the tag as shown (**Figure 2**).

**Figure 1**



**Figure 2**



## 2. General Safety Instructions

Read and observe all Warning and Caution hazard alert messages in this publication. They provide information that can help prevent serious personal injury, damage to components, or both.

The Electronic Lock Indicator System (ELI) installation and maintenance must be performed by a trained technician using proper tools and safe procedures.

**IMPORTANT:** The Electronic Lock Indicator (ELI) is a tractor-trailer fifth wheel coupling aid and is intended as an additional safety check to assure the driver of a safe and complete coupling. It does not eliminate the requirement for a visual inspection of the fifth wheel. Always get out of the tractor cab and visually inspect the fifth wheel coupling before proceeding.

**IMPORTANT:** Prior to operation of the fifth wheel you must be thoroughly satisfied that the fifth wheel has been appropriately installed on the vehicle.

**⚠WARNING** Failure to properly install, the fifth wheel may result in tractor-trailer separation which, if not avoided, could result in death or serious injury.

Refer to SAF-Holland Installation Manual XL-FW10008IM-en-US (available on the Internet at [www.safholland.us](http://www.safholland.us)) for proper installation procedures.

**⚠WARNING** Failure to follow all the operating procedures contained in these instructions may result in a hazardous condition which, if not avoided, could result in death or serious injury.

These instructions apply to the proper operation of your fifth wheel only. There are other important checks, inspections, and procedures listed in the Owner's Manuals for your tractor and trailer that are necessary, prudent, and/or required by law.

Only SAF-HOLLAND Original Parts should be used.

A list of SAF-HOLLAND technical support locations to supply SAF-HOLLAND Original Parts can be found at [www.safholland.us](http://www.safholland.us) or contact our customer service group at 1-888-396-6501.

Updates to this manual will be published as necessary on the Internet at [www.safholland.us](http://www.safholland.us).

### 3. Fifth Wheel Intended Use

1. For pulling trailers with standard SAE kingpins which are in good condition and securely mounted or locked in position in the trailer.
2. To transport loads that are within the maximum fifth wheel rated capacities: 55,000 lbs. Maximum Vertical Load 150,000 lbs. Maximum Drawbar Pull.
3. In both on-road and off-road applications.

**IMPORTANT:** SAF-HOLLAND definition of off-road refers to terrain on which a tractor-trailer operates which is unpaved and rough, or ungraded. Any terrain not considered part of the public highway system falls under this heading.

4. As recommended in SAF-HOLLAND literature available at [www.safholland.us](http://www.safholland.us).

### 4. Fifth Wheel NON-Intended Use

1. Use with non-SAE kingpins, such as kingpins which are bent, improper size or dimensions, not secured to maintain SAE configuration, or which are installed in warped trailer bolster plates, or upper coupler and fifth wheel lube plates that do not maintain the SAE kingpin dimensions. Refer to SAF-HOLLAND Service Bulletin XL-SB004-01 (available on the Internet at [www.safholland.us](http://www.safholland.us)) for more information on fifth wheel lube plates.

- ⚠ WARNING** Failure to couple with a proper kingpin may result in improper coupling, allowing tractor-trailer separation, which if not avoided, could result in death or serious injury.
2. Tow-away operations which damage or interfere with the proper operation of the fifth wheel.
  3. The attachment of lifting devices.
  4. The transport of loads in excess of rated capacity.
  5. Applications other than recommended in SAF-HOLLAND literature available at [www.safholland.us](http://www.safholland.us).

### 5. Coupling Preparation

**NOTE:** Follow the coupling and uncoupling instructions published in your Fifth Wheel Owner's Manual.

### 6. Operation Procedures

The Electronic Lock Indicator (ELI) automatically turns on when the tractor is started and remains on until the vehicle is turned/shut off.

When the tractor is started, the display first performs a short system check, indicated by the brief illumination of all three display icons.

After the system check, one of three displays will appear:

- The display indicates a yellow fifth wheel icon when the fifth wheel is in the proper position for coupling. There is not a kingpin in the fifth wheel lock and the fifth wheel lock mechanism is in the unlocked position (**Figure 3**). Follow the coupling procedure in the Fifth Wheel Owner's Manual that came with your fifth wheel.

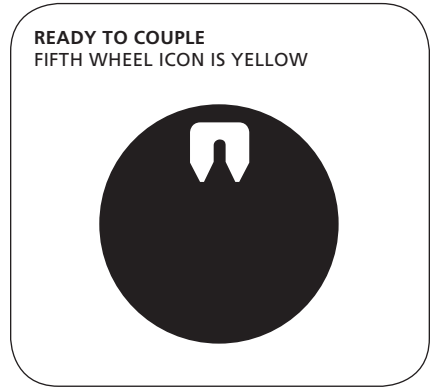
**NOTE:** If you will be traveling without a trailer, this display will remain lit for approximately seventeen (17) minutes before turning off. The display will turn back on during the next coupling process, or the next time it is turned on.

- The display indicates a green, closed lock icon when the fifth wheel is properly coupled to a trailer kingpin. The kingpin is in the lock at the proper height and the lock mechanism is fully closed in the locked position (**Figure 4**). Proceed with a visual inspection. The display will remain lit for approximately eight and one-half (8-1/2) minutes before turning off.

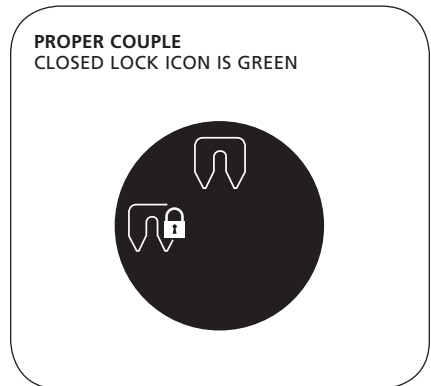
**NOTE:** Although the display turns off, the Electronic Lock Indicator (ELI) is still functioning normally and monitoring the fifth wheel coupling. The display will activate if an error occurs or the coupling condition changes.

- The display indicates a red flashing, open lock icon when the fifth wheel is not properly coupled to a trailer kingpin. The open lock icon is flashing red in this mode (**Figure 5**).

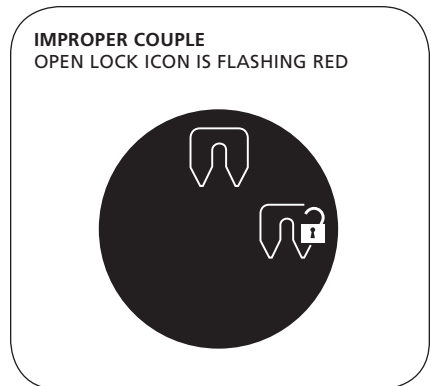
**Figure 3**



**Figure 4**



**Figure 5**



## 7. Response to Improper Couple Signal

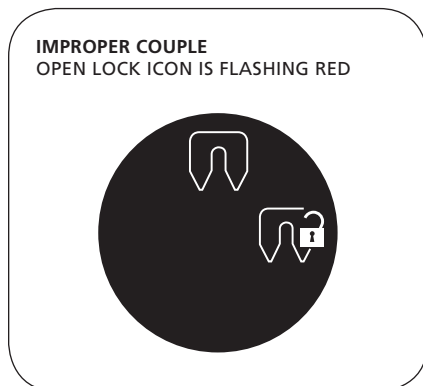
The proper response to improper couple signal (**Figure 6**) is as follows:

**IMPORTANT:** If a flashing red fifth wheel icon and open lock icon appears while operating the vehicle, immediately pull over in a safe area out of the flow of traffic. Follow the steps outlined below to determine if the fifth wheel is properly coupled.

1. Perform a visual inspection referring to the instructions included in the Owner's Manual that came with your fifth wheel.
2. If the visual inspection indicates that the fifth wheel is properly coupled:
  - Report the incident per your company's procedures.
  - Continue driving.
3. If the visual inspection indicates an improper couple:
  - Report the incident per your company's procedures.
  - Recouple referring to the coupling procedures in the Owner's Manual that came with your fifth wheel.

**NOTE:** Data can be downloaded for further diagnostics at [www.safholland.us](http://www.safholland.us) or contact our customer service group at 1-888-396-6501.

Figure 6



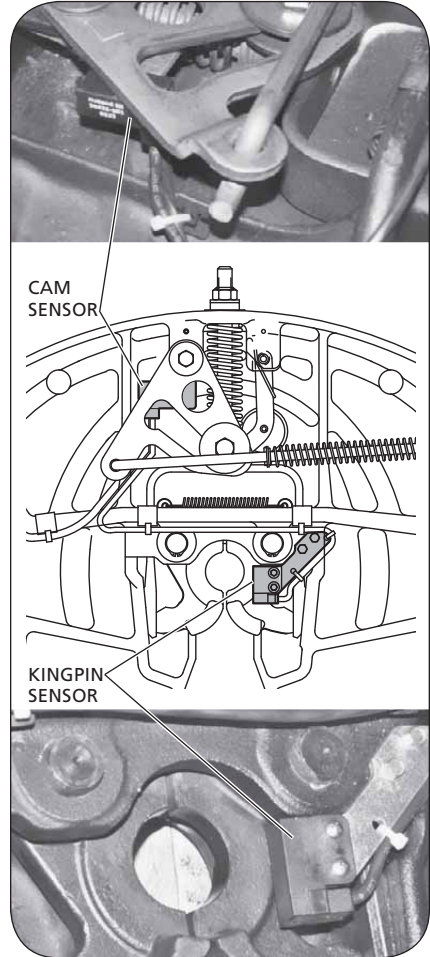
## 8. ELI Maintenance

Proper fifth wheel maintenance instructions can be found in the Owner's Manual that came with your fifth wheel.

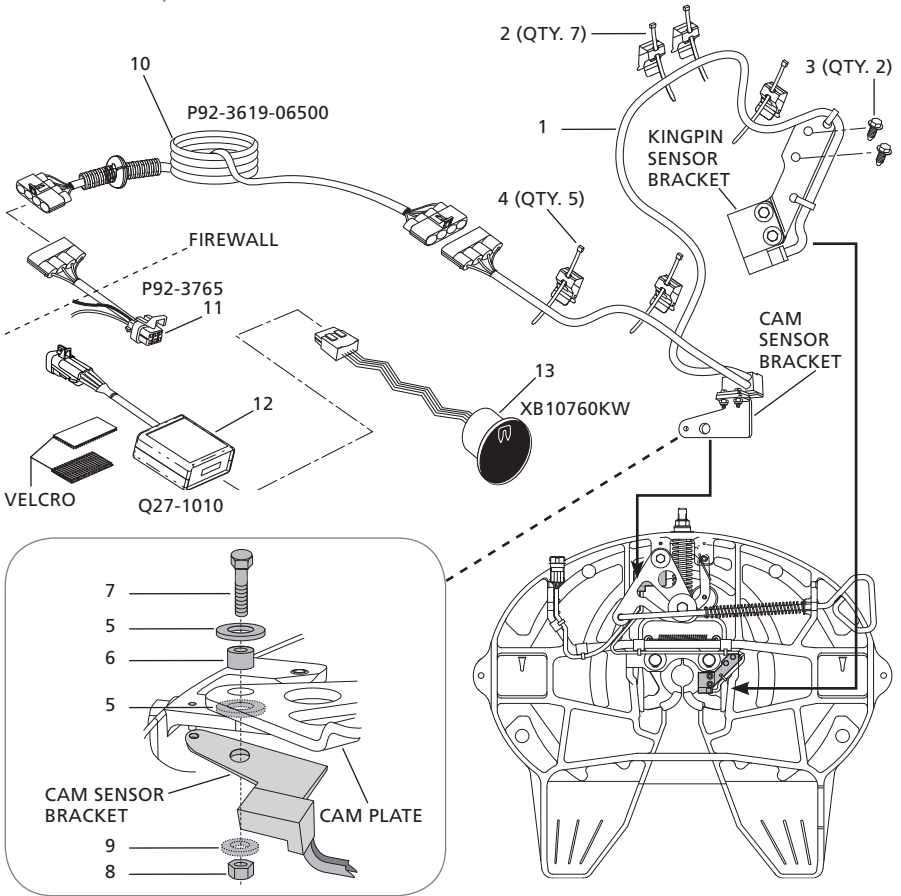
The Electronic Lock Indicator (ELI) requires the following procedures at each truck preventative maintenance interval:

1. Clean the surface of the sensors. Keep the sensors clean of excess grease and debris (**Figure 7**).
2. Check cables for chafing, tears, or damage.
3. Make sure the cable connections are secure.
4. For repair or replacement, contact SAF-HOLLAND Customer Service 1-888-396-6501.

Figure 7







English

ITEM	DESCRIPTION	PART NO.	QTY.
1	Harness Sub Assy - LH Harness Sub Assy - Air Release	RK-10903-L RK-10903-A	1
2*	Cable Tie - Nylon	XB-01961	7
3*	Screw - .25"-20 x .625"	XB-10775	2
4*	Spring Clip	XB-09976	5
5	Washer - 1.75" OD x 0.56" ID	XB-08559	2
6	Roller - .50" ID	XA-1029	1
7*	Hex Head Cap Screw - .50" x 2"	XB-10068	1
8*	Locknut - .50"-20	XB-T-69-A	1
9*	Washer - 1.06" OD x .53" ID	XB-PW-1732-1-116	1
10	Cable	P92-3619-06500**	1
11	Cable	P92-3765**	1
12	Control Module	Q27-1010**	1
13	Round Display Gauge	XB10760KW**	1

\*\* Kenworth Part Numbers

**NOTE:** Item numbers 10 and 11 are supplied only by Kenworth.  
P92-3619-06500  
P92-3765

## HOLLAND FIFTH WHEEL (KENWORTH FACTORY OR DEALER INSTALLED) ELECTRONIC LOCK INDICATOR (ELI) SYSTEM North American Commercial Warranty

### SAF-HOLLAND's Commitment:

We warrant to the original purchaser, and any subsequent purchaser, for the duration of this warranty, each Holland ELI Lock Indicator system (herein referred to as "Holland ELI System", which consists of a display, control module, and sensor harness with mounting brackets, when properly installed on your vehicle, and maintained and operated in accordance with our requirements, as follows:

SAF-HOLLAND will, at its option, repair, replace, or reimburse for any Holland ELI System component needing replacement due to defects in material or workmanship for two years from the original date of purchase. Parts reimbursement is limited to the parts acquisition cost, not to exceed the suggested list price.

The cost of repair covered by this warranty includes any reasonable labor expense. Labor reimbursement is based on a published flat rate schedule in conjunction with local labor rates.

### Your Responsibilities:

You are responsible for proper installation, operation, and maintenance as specified in our publications for Holland ELI System. Installation must be performed by Kenworth (factory installed) or an authorized Kenworth service facility (dealer installed). Service must be performed by an authorized Kenworth service facility.

You are required to obtain prior authorization from SAF-Holland or an authorized SAF-Holland customer service representative before replacing or returning any part. You may be required to make the product or part claimed to be covered by this warranty available to SAF-Holland and/or returned to SAF-Holland at your expense for review and evaluation. You will also need to provide the following information: date of purchase, and product serial number indicated on display module label.

### Claims:

You are required to obtain prior authorization from an authorized SAF-HOLLAND customer service representative before replacing or returning any part. You are required to retain the product or part claimed to be covered by this warranty and return it to SAF-HOLLAND upon request. You must submit a valid Service Report to have your warranty request considered. The Service Report form is available under the Service Section of our website at [www.safholland.us](http://www.safholland.us) or by calling 1-888-396-6501.

### Exclusions and Limitations:

This warranty is void if the tamper-proof seal on the display module is broken.

This warranty does not cover any Holland ELI System or component that fails, malfunctions or is damaged as a result of accident, abuse, improper use, improper installation, intentional modification, corrosion, failure to provide reasonable maintenance, or normal wear.

**THIS WARRANTY IS OUR SOLE WARRANTY IN REGARD TO THE HOLLAND ELI SYSTEM LISTED ABOVE. WE MAKE NO OTHER WARRANTIES, EXPRESS OR IMPLIED, OR OF MERCHANTABILITY OR FITNESS FOR A PARTICULAR PURPOSE. IN NO EVENT SHALL WE BE RESPONSIBLE FOR SPECIAL, INCIDENTAL, OR CONSEQUENTIAL DAMAGES OF ANY KIND.**



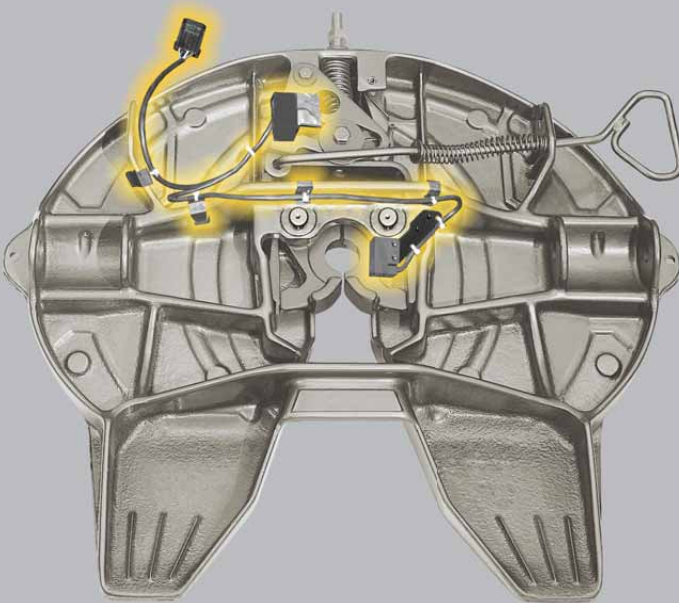


THIS PAGE INTENTIONALLY BLANK

## Manual del propietario

### Sistema indicador electrónico de cierre (ELI<sup>®</sup>) para quinta rueda serie FW35 instalado por Kenworth

Operación, procedimientos de mantenimiento;  
información de garantía



Contenido	Página
Introducción .....	14
Notas, precauciones y advertencias .....	14
Sección 1 – Identificación de modelo .....	15
Sección 2 – Instrucciones generales de seguridad .....	16
Sección 3 – Uso previsto de la quinta rueda ..	17
Sección 4 – Uso NO previsto de la quinta rueda.....	17

Contenido	Página
Sección 5 – Preparación del acople .....	17
Sección 6 – Procedimientos de operación ...	17
Sección 7 – Respuesta a una señal de acople incorrecta .....	19
Sección 8 – Mantenimiento.....	20
Vista esquemática y listas de piezas.....	21
Garantía .....	22

## Introducción

Este manual le proporciona la información necesaria para la operación y el mantenimiento adecuado del Sistema indicador electrónico de cierre (ELI) instalado por Kenworth para quinta rueda serie FW35 Holland.

**NOTE:** Para obtener repuestos Holland comuníquese con Servicio al cliente de SAF-HOLLAND: 888-396-6501.

## Notas, precauciones y advertencias

Debe leer y comprender todos los procedimientos presentados en este manual antes de operar o comenzar a trabajar en cualquier Sistema indicador electrónico de cierre (ELI) para quinta rueda serie FW35 Holland.

**IMPORTANTE:** Guarde este manual en un lugar seguro para consultarlo en el futuro.

Se deben usar las herramientas adecuadas para practicar los procedimientos de mantenimiento y reparación descritos en este manual.

**NOTA:** En Estados Unidos los requisitos de seguridad en el taller están definidos por leyes de salud y seguridad ocupacional federales o estatales. Es posible que existan leyes equivalentes en otros países. Este manual se escribió basándose en la suposición de que se siguen las normas de seguridad de la OSHA para empleados u otras normas aplicables en el lugar en que se ejecute el trabajo.

A lo largo de este manual, usted encontrará los términos "NOTA", "IMPORTANTE", "PRECAUCIÓN" y "ADVERTENCIA" seguidos de información importante sobre el producto. Para que comprenda mejor el manual, esos términos se definen en la forma siguiente:

**NOTA:** Incluye información adicional para permitir una fácil y exacta realización de los procedimientos.

**IMPORTANTE:** Incluye información adicional que, de no atenderse, podría ocasionar una disminución en el rendimiento del producto.

**PRECAUCIÓN** Sin el símbolo de alerta de seguridad indica una situación con riesgo potencial que, si no se evita, puede provocar daños materiales.

**PRECAUCIÓN** Indica una situación con riesgo potencial que, si no se evita, puede provocar lesiones menores o moderadas.

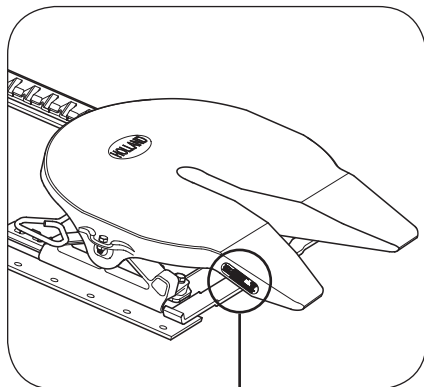
**ADVERTENCIA** Indica una situación con riesgo potencial que, si no se evita, puede provocar la muerte o lesiones graves.

## 1. Identificación del modelo

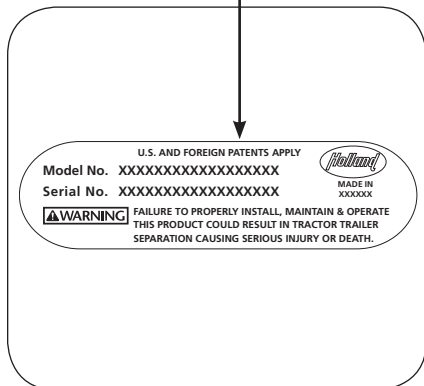
Las etiquetas con el número de serie de la quinta rueda se encuentran en el lado izquierdo de la placa superior de la quinta rueda encima del perno del soporte de la quinta rueda o en las rampas de acoplamiento tal como se muestra (**Figura 1**).

El número de parte y el número de serie se indican en la etiqueta tal como se muestra (**Figura 2**).

**Figura 1**



**Figura 2**



## 2. Instrucciones generales de seguridad

Lea y tome en cuenta todos los mensajes de alerta de riesgo de Advertencia y Precaución en esta publicación. Proporcionan información que puede ayudar a prevenir lesiones personales graves, daño a los componentes, o ambos.

La instalación y el mantenimiento del Sistema indicador electrónico de cierre (ELI) lo debe ejecutar un técnico capacitado usando herramientas adecuadas y procedimientos seguros.

**IMPORTANTE:** El Indicador electrónico de cierre (ELI) es un auxiliar de acople de quinta rueda de tractocamión-remolque y su objetivo es ser una comprobación de seguridad adicional para asegurar al conductor un acople seguro y completo. No elimina el requisito de una inspección visual de la quinta rueda. Salga siempre de la cabina del tractocamión e inspeccione visualmente el acople de la quinta rueda antes de continuar.

**IMPORTANTE:** Antes de operar la quinta rueda debe estar completamente seguro de que ésta se instaló correctamente en el vehículo.

**⚠️ ADVERTENCIA** El no instalar la quinta rueda correctamente puede causar una separación entre el tractocamión y el remolque que, de no prevenirse, puede provocar la muerte o lesiones graves.

Consulte el Manual de instalación SAF-HOLLAND XL-FW10008IM-sx-US (disponible en Internet en [www.safholland.us](http://www.safholland.us)) para conocer los procedimientos de instalación correctos.

**⚠️ ADVERTENCIA** El no seguir todos los procedimientos de operación contenidos en estas instrucciones puede crear una situación peligrosa que, si no se evita, puede provocar la muerte o lesiones graves.

Estas instrucciones se aplican sólo a la operación correcta de su quinta rueda. Existen otras verificaciones, inspecciones y procedimientos importantes en el Manual del propietario de su tractocamión y remolque que son necesarios, prudentes y/o obligatorios por ley.

Sólo se deberán usar repuestos originales SAF-HOLLAND.

Se puede encontrar una lista de lugares de asistencia técnica de SAF-HOLLAND que suministran repuestos originales SAF-HOLLAND en [www.safholland.us](http://www.safholland.us) o puede comunicarse con nuestro grupo de servicio al cliente en 888-396-6501.

Las actualizaciones a este manual se publicarán según sea necesario en Internet, en [www.safholland.us](http://www.safholland.us).



### 3. Uso previsto de la quinta rueda

1. Para tirar remolques con pernos rey estándar de la SAE en buenas condiciones e instalados firmemente o asegurados en su lugar en el remolque.
2. Para el transporte de cargas que estén dentro de las capacidades estipuladas de quinta rueda: 55.000 lbs. de carga vertical máxima 150.000 lbs. de arrastre máximo de la barra de tracción.
3. En aplicaciones dentro y fuera de carretera.

**IMPORTANTE:** La definición de SAF-HOLLAND de fuera de la carretera se refiere a terreno en el cual opera un tractocamión-remolque y que no está pavimentado y está desigual y desnivelado. Cualquier terreno que no se considere parte del sistema de autopistas públicas queda dentro de esta categoría.

4. Según se recomienda en las publicaciones de SAF-HOLLAND disponibles en [www.safholland.us](http://www.safholland.us).

### 4. Uso NO previsto de la quinta rueda

1. El uso con pernos rey diferentes a los de la SAE, como pernos rey que estén deformados, de tamaño o dimensiones inadecuadas, no asegurados para mantener la configuración de la SAE o instalados en placas de soporte para remolque deformadas, o placas lubricantes de acoplador superior y quinta rueda que no mantienen las dimensiones de perno rey de la SAE. Consulte el boletín de servicio de SAF-HOLLAND

XL-SB004-01 (disponible en Internet en [www.safholland.us](http://www.safholland.us)) para obtener más información sobre las placas lubricantes de quinta rueda.

#### **⚠ ADVERTENCIA**

El no acoplar con un perno rey adecuado puede ser causa de acople inadecuado, que podría ocasionar la separación entre tractocamión y remolque la cual, de no evitarse, puede provocar la muerte o lesiones graves.

2. Operaciones de remolque que dañen o interfieran con el funcionamiento adecuado de la quinta rueda.
3. El acople de dispositivos de elevación.
4. El transporte de cargas que superen la capacidad estipulada.
5. Aplicaciones diferentes a las recomendadas en las publicaciones de SAF-HOLLAND disponibles en [www.safholland.us](http://www.safholland.us).

### 5. Preparación de acople

**NOTA:** Siga las instrucciones de acople y desacople publicadas en su Manual del propietario de la quinta rueda.

### 6. Procedimientos de operación

El Indicador electrónico de cierre (ELI) se enciende automáticamente cuando el tractocamión arranca y sigue encendido hasta que el vehículo se apaga.

Cuando el tractocamión arranca, la pantalla ejecuta primero una breve comprobación del sistema, que se indica con la breve iluminación de los tres íconos de la pantalla.

Después de la comprobación del sistema, aparecerá una de las tres pantallas:

- La pantalla muestra un ícono de quinta rueda amarillo cuando la quinta rueda está en la posición adecuada para el acoplamiento. No hay un perno rey en los seguros de la quinta rueda y el mecanismo de cierre de la quinta rueda está en la posición sin seguro (**Figura 3**). Siga el procedimiento de acople en el Manual del propietario de quinta rueda.

**NOTA:** Si va a desplazarse sin un remolque, esta pantalla seguirá iluminada aproximadamente diecisiete (17) minutos antes de apagarse. La pantalla se volverá a encender durante el siguiente proceso de acople, o la próxima vez que se encienda.

- La pantalla muestra el ícono verde de cierre cuando la quinta rueda está acoplada correctamente a un perno rey. El perno rey está en los seguros a la altura correcta y el mecanismo está completamente cerrado (**Figura 4**). A continuación realice una inspección visual. La pantalla seguirá iluminada aproximadamente ocho y medio (8-1/2) minutos antes de apagarse.

**NOTA:** Aunque la pantalla se apague, el Indicador electrónico de cierre (ELI) seguirá funcionando normalmente y monitoreando el acople de la quinta rueda. La pantalla se activará si ocurre un error o si el estado de acople cambia.

- La pantalla muestra un ícono rojo destellante de seguro abierto cuando la quinta rueda no está acoplada correctamente al perno rey. El ícono de mecanismo abierto está destellando en rojo en este modo (**Figura 5**).

**Figura 3**



**Figura 4**



**Figura 5**



## 7. Respuesta a una señal de acople incorrecta

La manera correcta de responder a una señal de acople incorrecta (**Figura 6**) es como sigue:

**IMPORTANTE:** Si aparece un ícono rojo de quinta rueda destellante y un ícono de cierre abierto mientras se está operando el vehículo, salga de la carretera en una zona segura fuera del flujo del tráfico. Siga los pasos indicados a continuación para determinar si la quinta rueda está acoplada correctamente.

1. Practique una inspección visual consultando las instrucciones incluidas en el Manual del propietario.
2. Si la inspección visual indica que la quinta rueda está acoplada correctamente:
  - Reporte el incidente según los procedimientos de su compañía.
  - Siga conduciendo.
3. Si la inspección visual indica un acoplamiento incorrecto:
  - Reporte el incidente según los procedimientos de su compañía.
  - Vuelva a acoplar consultando los procedimientos de acoplamiento del Manual del propietario.

**NOTA:** Los datos se pueden descargar para un diagnóstico posterior en [www.safholland.us](http://www.safholland.us) o comuníquese con nuestro grupo de servicio al cliente al 888-396-6501.

Figura 6



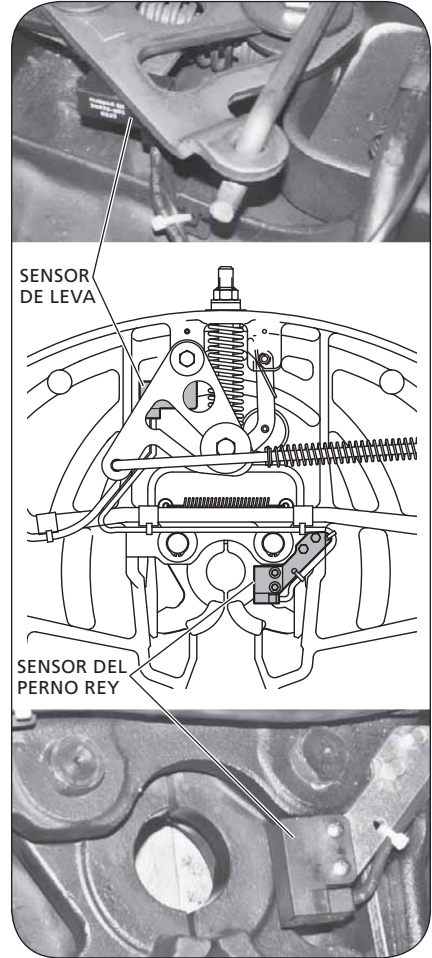
## 8. Mantenimiento del ELI

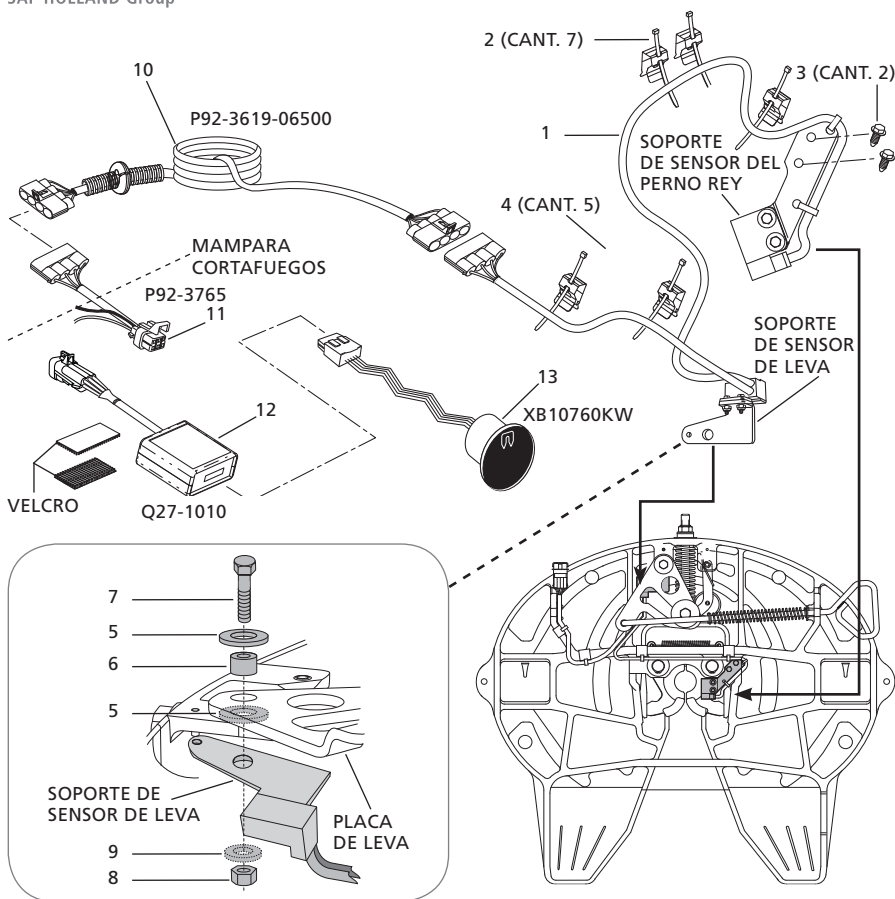
Las instrucciones de mantenimiento adecuadas de la quinta rueda se pueden encontrar en el Manual del propietario.

El Indicador electrónico de cierre (ELI) exige los siguientes procedimientos en cada intervalo de mantenimiento preventivo del tractocamión:

1. Limpie la superficie de los sensores. Mantenga los sensores libres de exceso de grasa y suciedad (**Figura 7**).
2. Inspeccione los cables en busca de desgaste, desgarres u otros daños.
3. Asegúrese de que los cables estén bien conectados.
4. Para reparaciones o reemplazo, comuníquese con servicio al cliente de SAF-HOLLAND al 888-396-6501.

Figura 7





NO.	DESCRIPCIÓN	NO. DE PARTE	CANT.
1	Subensamble de arnés - LH Subensamble de arnés - Liberación neumática	RK-10903-L RK-10903-A	1
2*	Amarra para cable - Nylon	XB-01961	7
3*	Tornillo - 0,25" - 20 x 0,625"	XB-10775	2
4*	Clip de resorte	XB-09976	5
5	Arandela - 1,75" D. Ext. x 0,56" D. Int.	XB-08559	2
6	Rodillo - 0,50" D. Int.	XA-1029	1
7*	Tornillo de cabeza hueca hexagonal- 0,50" x 2"	XB-10068	1
8*	Tuerca de seguridad - 0,50" - 20	XB-T-69-A	1
9*	Arandela - 1,06" D. Ext. x 0,53" D. Int.	XB-PW-1732-1-116	1
10	Cable	P92-3619-06500**	1
11	Cable	P92-3765**	1
12	Módulo de control	Q27-1010**	1
13	Indicador de pantalla redondo	XB10760KW**	1

\*\* Números de parte de Kenworth

**NOTA:** Los elementos 10 y 11 sólo los suministra Kenworth.

P92-3619-06500  
P92-3765

## Sistema Indicador electrónico de cierre (ELI) quinta rueda HOLLAND (KENWORTH instalada en fábrica o por el distribuidor) Garantía comercial norteamericana

### El compromiso de SAF-HOLLAND:

Garantizamos al comprador original y cualquier comprador subsiguiente, durante la duración de esta garantía, cada sistema indicador de seguro ELI Holland (en lo sucesivo denominado "Sistema ELI Holland", que consiste en una pantalla, módulo de control, y arnés de sensor con soportes de montaje, siempre que esté correctamente instalado en su vehículo, reciba mantenimiento y opere de conformidad con los requisitos que detallamos a continuación:

SAF-HOLLAND reparará, reemplazará o reembolsará, a su elección, cualquier componente del Sistema ELI Holland que necesite reemplazo debido a defectos en material o mano de obra por dos años a partir de la fecha de compra original. El reembolso de partes se limita al costo de adquisición de las mismas, que no superará el precio de lista sugerido.

El costo de la reparación cubierto por esta garantía incluye cualquier gasto de mano de obra. El reembolso de mano de obra se basa en una lista de tarifa uniforme publicada en conjunto con los salarios por mano de obra local.

### Sus responsabilidades:

Usted es responsable de la instalación, operación y mantenimiento adecuados según se especifica en nuestras publicaciones para el Sistema ELI Holland. La instalación debe ser ejecutada por Kenworth (instalación en fábrica) o un centro de servicio Kenworth autorizado (instalación por el distribuidor). El servicio debe ser ejecutado por un centro de servicio Kenworth autorizado.

Es necesario que obtenga la autorización previa de SAF-Holland o de un representante de servicio al cliente de SAF-Holland autorizado antes de reemplazar o devolver cualquier parte. Es posible que se le

pida poner a disposición de SAF-Holland el producto o parte que afirma está cubierto por esta garantía o que lo devuelva a SAF-Holland por su cuenta para su revisión y evaluación. También deberá proporcionar la siguiente información: fecha de compra y número de serie del producto indicado en la etiqueta del módulo de pantalla.

### Reclamaciones:

Es necesario que obtenga una autorización previa de un representante de servicio al cliente de SAF-HOLLAND autorizado antes de reemplazar o devolver cualquier pieza. Es necesario que conserve el producto o parte del que afirma que está cubierto por esta garantía y lo devuelva a SAF-HOLLAND a petición. Deberá enviar un informe de servicio válido para que se tome en cuenta su solicitud de garantía. El formulario de Informe de servicio se encuentra en la sección Service (Servicio) de nuestro sitio web en [www.safholland.us](http://www.safholland.us) o llame al 1-888-396-6501.

### Exclusiones y limitaciones:

Esta garantía quedará invalidada si el sello de garantía en el módulo de pantalla está roto.

Esta garantía no cubre ningún Sistema ELI Holland o componente que falle, tenga un desperfecto o se dañe a consecuencia de accidente, uso incorrecto, instalación incorrecta, modificación intencional, corrosión, ausencia de mantenimiento razonable, o desgaste normal.

**ESTA GARANTÍA ES LA ÚNICA GARANTÍA RELACIONADA AL SISTEMA ELI HOLLAND ARRIBA MENCIONADO. NO OFRECIMOS OTRAS GARANTÍAS EXPRESAS O IMPLÍCITAS, O DE FACTIBILIDAD DE COMERCIALIZACIÓN O ADECUACIÓN PARA UN PROPÓSITO DETERMINADO. EN NINGÚN CASO SEREMOS RESPONSABLES POR DAÑOS ESPECIALES, CIRCUNSTANCIALES O RESULTANTES DE NINGÚN TIPO.**







From fifth wheel rebuild kits to suspension bushing repair kits, SAF-HOLLAND Original Parts are the same quality components used in the original component assembly.

SAF-HOLLAND Original Parts are tested and designed to provide maximum performance and durability. Will-fits, look-a likes or, worse yet, counterfeit parts will only limit the performance potential and could possibly void SAF-HOLLAND's warranty. Always be sure to spec SAF-HOLLAND Original Parts when servicing your SAF-HOLLAND product.

**SAF-HOLLAND USA • 888.396.6501 • Fax 800.356.3929**  
**[www.safholland.us](http://www.safholland.us)**

**SAF-HOLLAND CANADA • 519.537.3494 • Fax 800.565.7753**  
**WESTERN CANADA • 604.574.7491 • Fax 604.574.0244**  
**[www.safholland.ca](http://www.safholland.ca)**

**SAF-HOLLAND MEXICO • +(52) 55.5362.8743 • Fax +(52) 55.5362.8743**  
**[www.safholland.com.mx](http://www.safholland.com.mx)**

**[info@safholland.com](mailto:info@safholland.com)**

SAF-HOLLAND USA, INC.  
1950 Industrial Blvd, Muskegon, MI 49443  
[www.safholland.com](http://www.safholland.com)

