



FIFTH WHEELS

FWAL Release Handle Removal and Replacement

RK-10495-AL-P Release Handle Replacement Kit Instructions

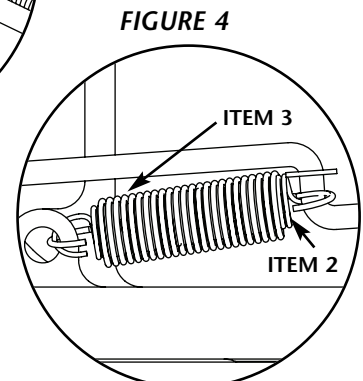
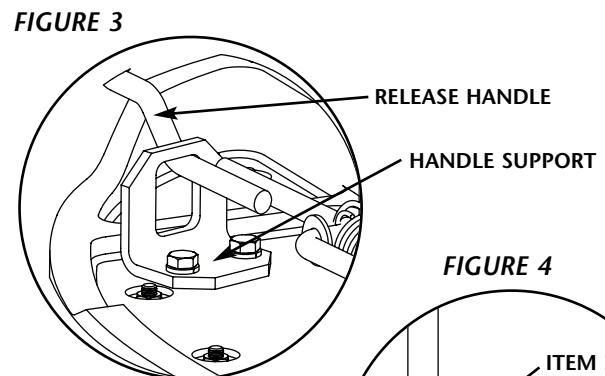
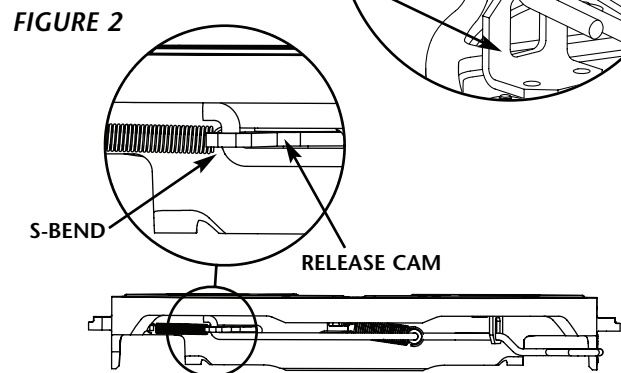
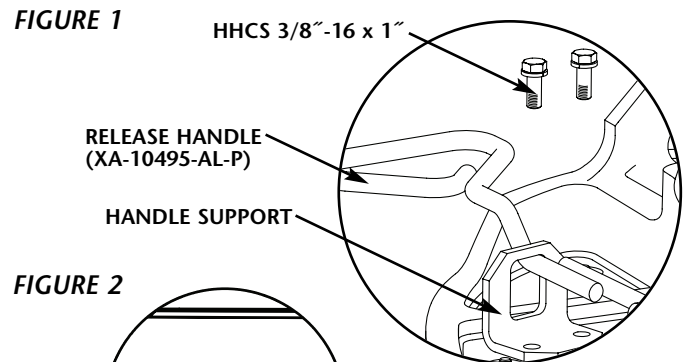
Replacement release handle for use on only
FWAL-Series Holland Fifth Wheels

PROCEDURE:

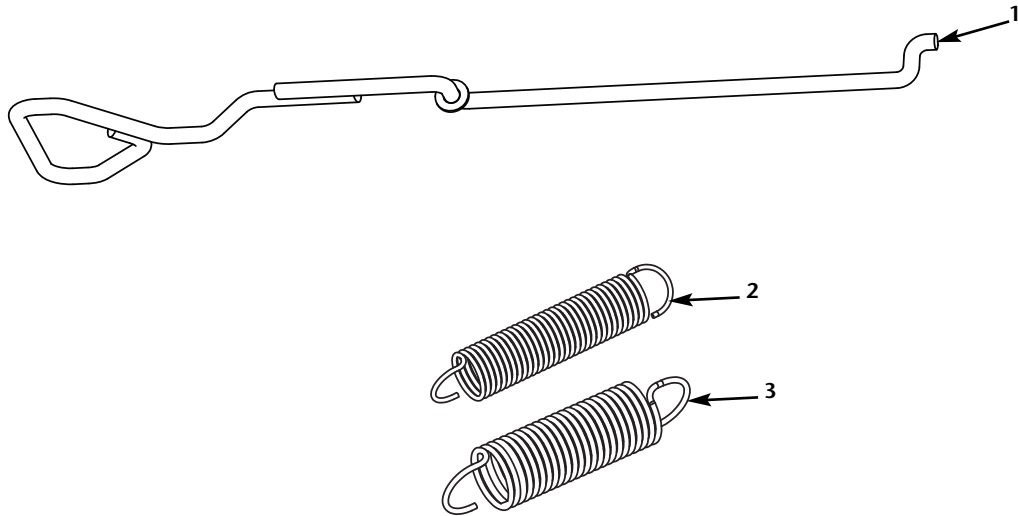
1. Carefully detach springs from bend on release handle. Remove existing release handle from the top plate by removing two Hex Head Cap Screws and lock washers from handle support (**FIGURE 1**), so the "S-bend" in the handle can be removed from the cam plate. Discard old release handle.
2. Insert the new release handle (**ITEM 1**) through the handle support window (**FIGURE 1**). Insert the "S-bend" on the handle through the hole in the cam plate and position handle as shown in **FIGURE 2**.
3. Position the handle support as shown in **FIGURE 3** and reinstall the Hex Head Cap Screws and lock washers. Tighten to 300 in. lbs. max.
4. Attach the new release handle springs (**ITEMS 2 and 3**) so that both spring openings face down when the fifth wheel is mounted on the truck (**FIGURE 4**).
5. Verify the proper operation of the fifth wheel by locking and unlocking the fifth wheel locks at least three times using a SAF-HOLLAND Kingpin Lock Tester TF-TLN-5001 (refer to SAF-HOLLAND Publication XL-FW340 for lock tester instructions).

IMPORTANT: DO NOT use any fifth wheel that fails to operate properly.

⚠ WARNING Failure to properly couple tractor and trailer may cause separation which, if not avoided, could result in death or serious injury.



RK-10495-AL-P PARTS BREAKDOWN



KIT CONTENTS

Item	Description	Quantity	Part No.
1	Release Handle	1	XA-10495-AL-P
2	Extension Spring, Inner	1	XB-10489-P
3	Extension Spring, Outer	1	XB-10490-P



SAF-HOLLAND USA, Inc.
888.396.6501 Fax 800.356.3929

SAF-HOLLAND Canada Limited
519.537.3494 Fax 800.565.7753
Western Canada
604.574.7491 Fax 604.574.0244

SAF-HOLLAND International, Inc.
616.396.6501 Fax 616.356.1511