

Brescia, 17th May 2021

PART NUMBER	<b>OC40W04 – weld on drawbar eye 40mm</b>
-------------	---

Dear Customer,

As part of our continuous improvement program, we have scheduled a changing on the following item:

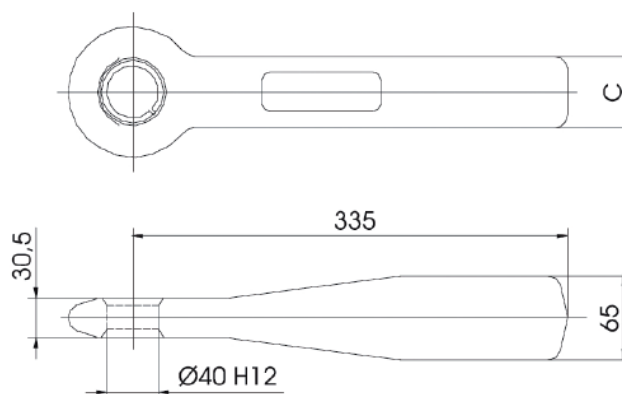
<p>Occhioni a saldare Weld on drawbar eyes</p> 		<b>DIN 74054   ECE R55</b>							
		Codice Part number	Valore - Value				C [mm]	Peso Weight [kg]	Omologazione Homologation
	D [kN]	Dc [kN]	S [kg]	V [kN]					
OC40W04	125	60	1000	20	60	8	E1 01-2583	Z-066.2	

DETAILS AND TECHNICAL NOTES:

We introduce you the changing of the homologation certificate for 40mm weld on drawbar eye.

**The product won't be affected to any variation in terms of its dimensional features.**

**We suggest to take note of the Dc and V values variation.**



A copy of the new homologation is available on our web site [www.orlandi.it](http://www.orlandi.it).

For eventual further information, please contact our Sales Department.

V.ORLANDI S.p.A.